



COUNTY OF DANE
DEPARTMENT OF ADMINISTRATION
PURCHASING DIVISION
City County Building
210 Martin Luther King Jr. Blvd. Room 425
Madison, WI 53703-3345

GREG BROCKMEYER
Director of Administration

CHARLES HICKLIN
Controller

Date: April 29, 2019
To: All Proposers
Subject: Addendum #2 to Bid# 119055 – Tri-Axle and Patrol Truck Builds

1. Attached to this addendum (page 2) are specifications that have been revised. **Please print and use this document with your bid submission.**
2. Attached to this addendum (page 3) is an updated and revised drawing of the Freightliner truck chassis.
3. Attached to this addendum (pages 4 – 10) is a revised Section 4 – Price Proposal. This section is now formatted to allow vendors to briefly show or explain alternative installation ways that may be cost effective. P1 – P7 should be completed if the specifications provided by Dane County are utilized. Any alternative installation specs/options should be written into the “Alternative Installation” section of the price proposal for consideration. **Please print and use this document with your bid submission in lieu of the original price proposal section.**

Please acknowledge receipt of this addendum by checking the “Addendum #2” box in **Section 2 – Vendor Information** of your bid submission. If you have any questions regarding this addendum, please contact me via phone or email as listed below.

Sincerely,

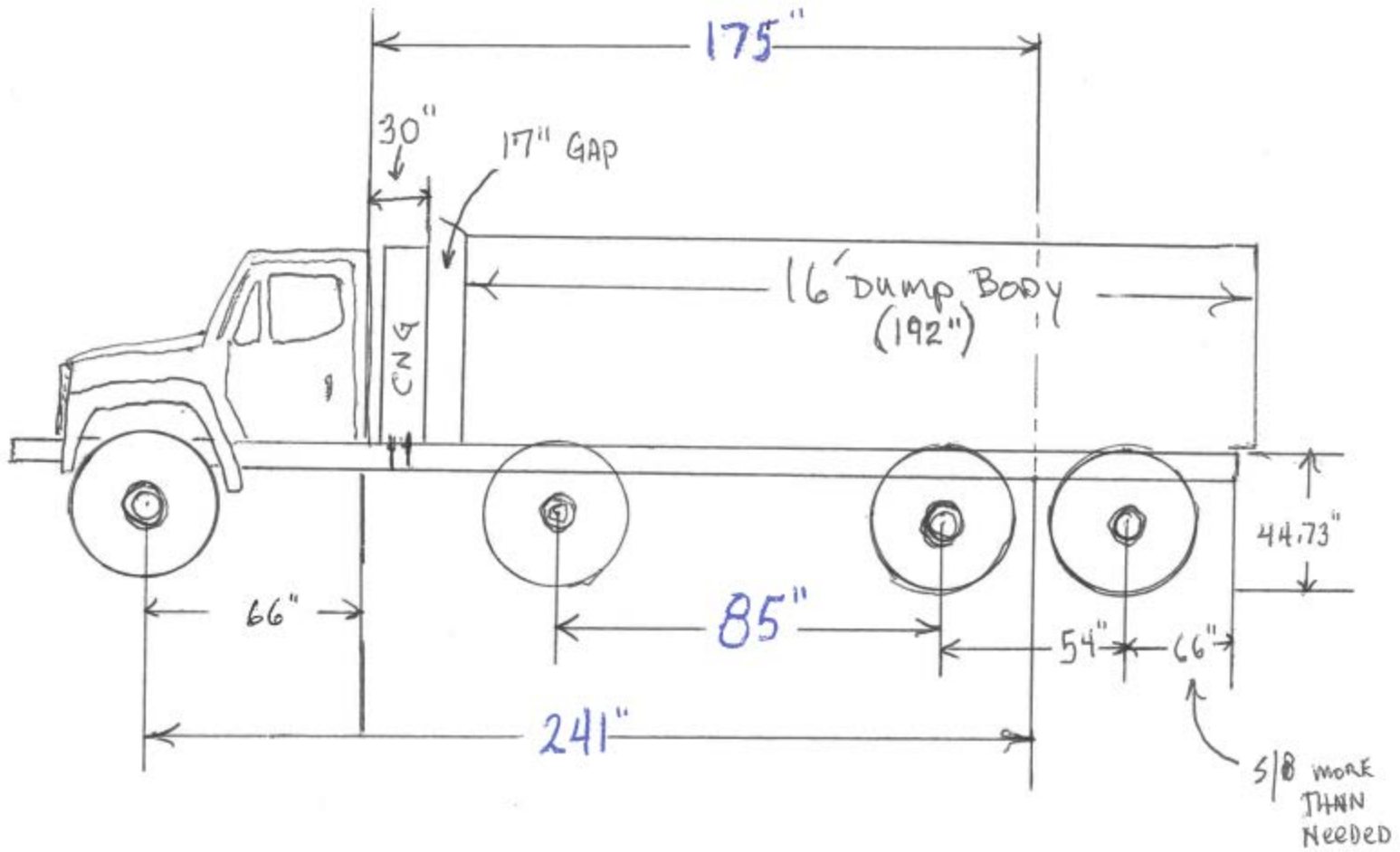
Pete Patten
Purchasing Agent
608-267-3523
patten.peter@countyofdane.com

Section 3 – Bid Specifications – Submit with Bid

REVISED SPECIFICATIONS		Spec Compliance	
#	Item/Description	NO	YES
10	3/16" 201 Stainless Steel Rear Corner Posts with one cut-out for Recessed S/T/T Lights and one cut-out for strobe light. Exact locations to be determined at Pre-Build with Dane County.		
43	This specification has been deleted/removed.		
133	All Cross Tubes for Link Bolts are fully welded, fully greasable as well as the link arms and pivot bolts.		
134	This specification has been deleted/removed.		
224	A pair of Whelen VTX609A L.E.D. strobes mounted on the sides of the rear posts to be visible from the side. Must have guard to prevent "flash" in mirrors.		
225	Two (2) 2000 Lumen Clear L.E.D. Back-Up Lights rear mounted and wired Into Factory Back-Up Lights. Exact Locations to be determined at Pre-Build with Dane County - ST2000 Series Lights		
DC	Boards for the top of the boxes to be supplied and installed by Dane County.		

114SD SB

NOT TO SCALE



Section 4 – Price Proposal – Submit with Bid

REVISED - PRICE PROPOSAL 4/29/19

VENDOR NAME:

Pricing shall be inclusive of all labor, delivery costs and other expenses necessary to provide product in accordance with the specifications and terms and conditions of this bid document and your proposal.

#	Tri-Axle Equipment and Installation	Price Per Truck	Quantity	Total Price
P1	Provide Completed Tri-Axle Snow Plow Truck in accordance with the aforementioned specification:	\$	4	\$
P2	Change in price if alternate truck box with conveyer assembly is used in lieu of truck box with auger assembly.	\$	4	\$
P3	Deduct if Dane County moves trucks and equipment to the vendor (lump sum amount):	\$		
P4	Delivery Time ARO: 2303 Fish Hatchery Road Madison, WI 53713			

#	Patrol Truck (Tandem-Axle) Equipment and Installation	Price Per Truck	Quantity	Total Price
P5	Construct and provide completed Patrol Truck in accordance with the aforementioned specification:	\$	5	\$
P6	Deduct if Dane County moves trucks and equipment to the vendor (lump sum amount):	\$		
P7	Delivery Time ARO: 2303 Fish Hatchery Road Madison, WI 53713			

#	Future Pricing – Tri-Axle Truck Build Only If awarded, the vendor will maintain the same pricing for the following years.		
P8	Year 2020	YES	NO
P9	Year 2021	YES	NO
P10	Year 2022	YES	NO
P11	Year 2023	YES	NO

Section 4 – Price Proposal – Submit with Bid

Optional Equipment		
Additional items/options – if you would like to have any additional equipment considered in connection with this bid, please indicate the specific item and cost within the space provided here.		
#	Description	Unit Price
P12		\$
P13		\$
P14		\$
P15		\$
P16		\$
P17		\$
P18		\$
P19		\$
P20		\$
P21		\$
P22		\$
P23		\$
P24		\$
P25		\$

Alternative Installation Options			
Indicate any alternative installation options that may be cost-effective for Dane County’s consideration. Provide a brief description of the alternative installation option, which original spec it would replace and the cost deduction for each option listed.			
#	Spec #	Brief Description	Cost Deduction
P26			\$
P27			\$
P28			\$
P29			\$

Section 4 – Price Proposal – Submit with Bid

P30			\$
P31			\$
P32			\$
P33			\$
P34			\$
P35			\$
P36			\$
P37			\$
P38			\$
P39			\$
P40			\$
P41			\$

**EQUIPMENT INFORMATION – Tri-Axle Trucks
MUST BE COMPLETED**

SNOW PLOW, POWER REVERSIBLE FOR HIGH SPEED PLOWING			
1	Make & Model:		
2	Weight (lbs.):		
3	Moldboard	Height (inches)	
		Length (feet/inches)	
		Steel Thickness (inches)	
		# of Vertical Ribs	
		Vertical Ribs Welded?	YES
4	Safety-Trip:		YES NO
5	Factory Level Lift:		YES NO
6	Number of Springs:		
7	Degree of Swing:		
8	Hydraulic Rams	Quantity	
		Cylinder Size	
		Piston Rod Size	
9	# of Hinge Points between Moldboard and Table:		
10	Specification Deviations?		YES NO
11	Warranty:		
12	Warranty Work Vendor and Contact Info:		

Section 4 – Price Proposal – Submit with Bid

SNOW PLOW, WINGS		
13	Make:	
14	Model:	
15	Weight (lbs.):	
16	Moldboard	Gauge
		End Height
17	# of Vertical Ribs:	
18	Specification Deviations?	YES NO
19	Warranty:	
20	Warranty Work Vendor and Contact Info:	

PRE-WET KITS		
21	Make:	
22	Model:	
23	Warranty:	
24	Warranty Work Vendor and Contact Info:	

HYDRAULICS AND CONTROLS		
25	Make:	
26	Model:	
27	Warranty:	
28	Warranty Work Vendor and Contact Info:	

DUMP BODY / HOIST				
29	Dump Body	Make:		
		Model:		
30	Hoist	Make:		
		Model:		
31	Approx. Weight (body/hoist) (lbs.):			
32	Delivery Time (Calendar Days from ARO):			
33	Dump Body	Capacity (cu. yds):		
		Length (inches):		
		Height (inches):		
		Width - Outside Top:		
		Width - Outside Bottom:		
		Width - Inside Top:		
		Width - Inside Bottom:		
		Gauge of Steel:		
		Full Opening Tailgate?	YES	NO
		Total Weight (lbs.)		
34	Body	Cab Shield?	YES NO	
		Structural Frame Type:		
		Detail Truck Mount and Hardware:		
35	Specification Deviations?		YES NO	
36	Warranty:			
37	Warranty Work Vendor and Contact Info:			

TARP SYSTEMS		
38	Make:	
39	Model:	
40	Warranty:	
41	Warranty Work Vendor and Contact Info:	